

RCD000300200: anti-islating box 63A for single phase and three phase systems.

Complies with:

- G83/2 and G59/3
- VDE-AR-N 4105
- ÖVE/ÖNORM E 8001-4-712
- DIN V VDE V 0126-1-1/A1 / NOI-RES_13E
- NRS-097-2-1

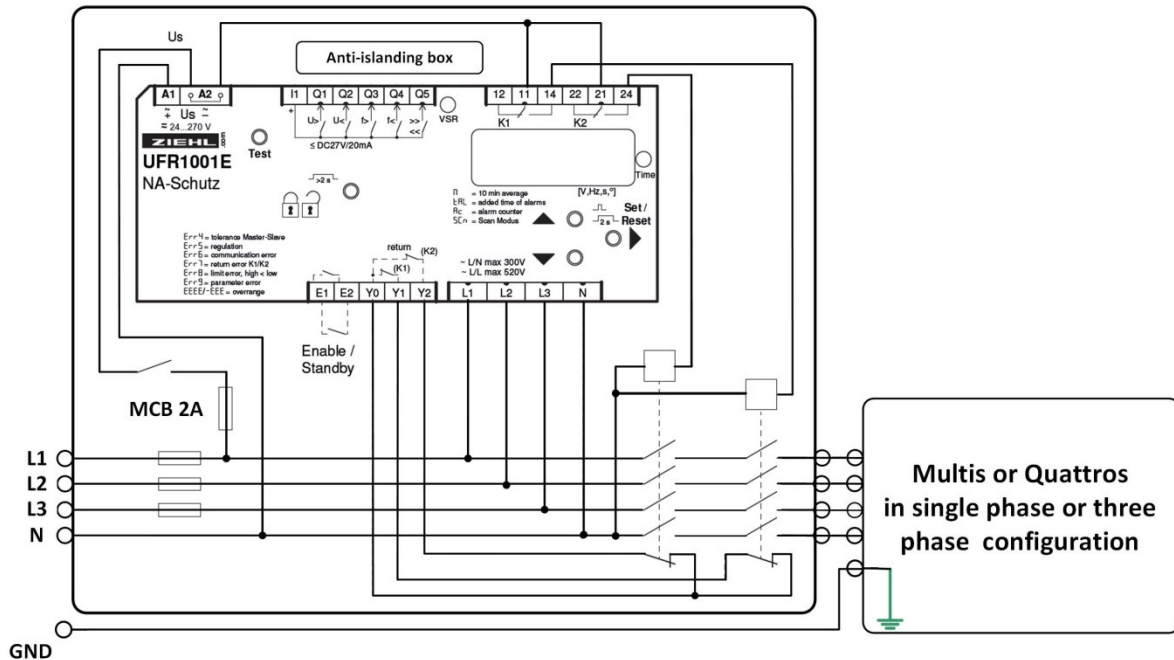


Fig 2: Anti-islating with RCD000300200

The German, Austrian and French standards require two electric switching devices connected in series. The Ziehl relay controls both switching devices.

Note: the second contactor is not needed for G83/2 and G59/3 compliant systems.